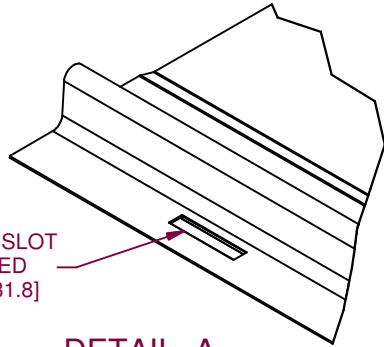
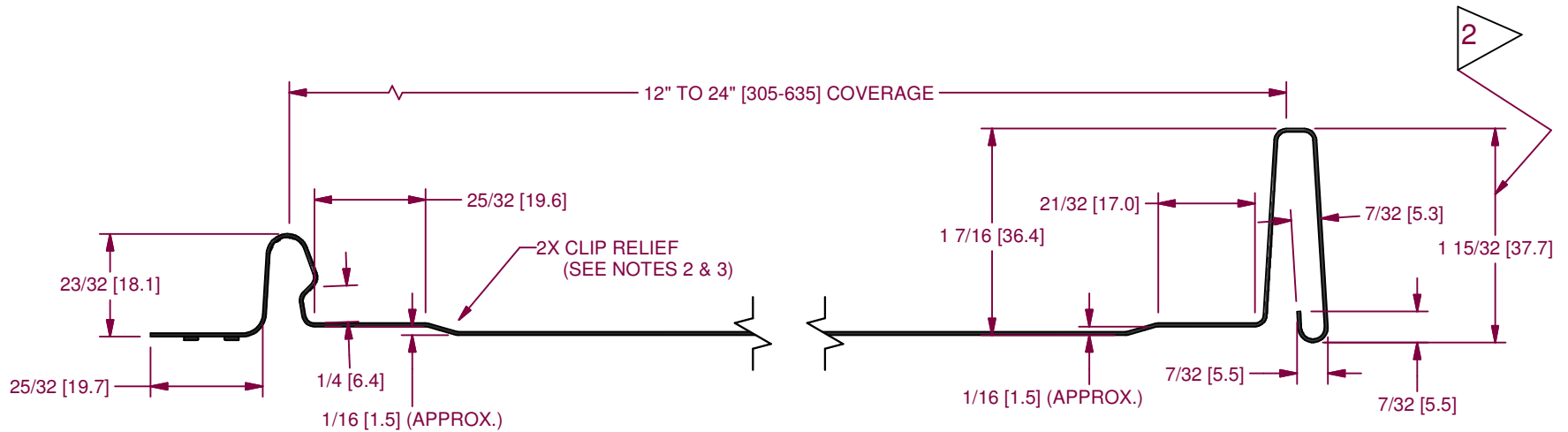
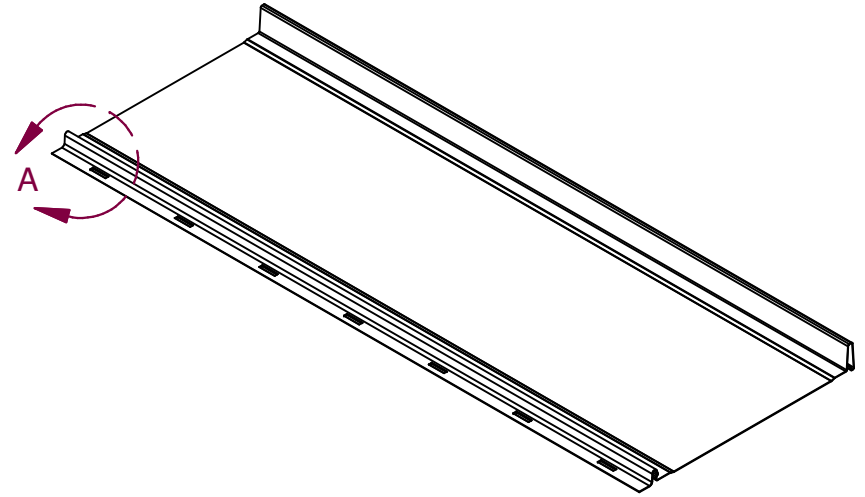


1" x 1/4" [25.4 x 6.4] SLOT  
EQUALLY SPACED  
EVERY 5 3/16" [131.8]




DETAIL A



2 INCREASED LENGTH OF LEG  
REVISED MATERIAL USAGE

- NOTES:
1. MATERIAL USAGE: 5 5/16"
  2. CLIP RELIEF ROLLERS ARE STANDARD WITH THIS PANEL.
  3. PANEL IS SHOWN WITH CLIP RELIEF ROLLERS ENGAGED.
  4. DUAL DIMENSIONS: Inch [mm]

MATERIAL PAINTED STEEL/PAINTED ALUMINUM/COPPER				FINISH NONE		 <b>NEW TECH MACHINERY CORP.</b>		
REVISION HISTORY	REV	ECR NO.	DATE	RELEASED BY	TOLERANCES .XX = ± .01 .XXX = ± .005 FRACTION = ± 1/32" ANGLE = ± 1/2'	DRAWN BY AJB	PART NAME FF150 PANEL PROFILE	
	0	TENTATIVE	11/02/2007	UNK		DATE 11/02/2007		
	1	R-1538	05/21/2008	UNK		CHECK BY BT	DATE 09/22/2011	PART NUMBER FF5-FF5
	2	R-1796	09/22/2011	BT			SHEET 1 OF 1	REVISION 2