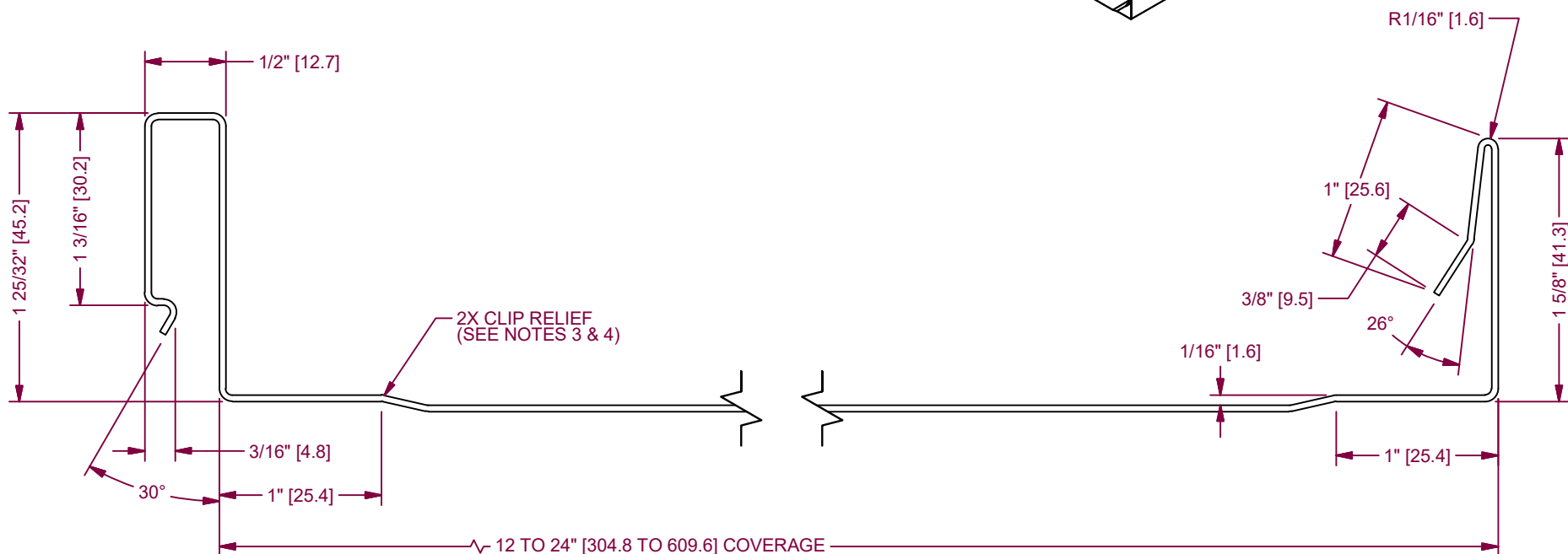
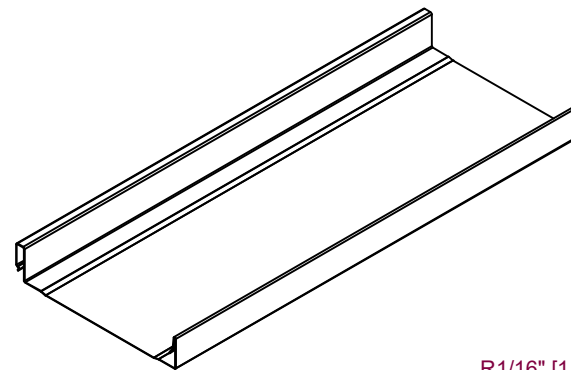



2 CREATED CLIP RELIEF VIEW



- NOTE:
1. MATERIAL USAGE: 6-1/8" [155.6]
  2. CLIP RELIEF ROLLERS ARE STANDARD WITH THIS PANEL.
  3. PANEL IS SHOWN WITH CLIP RELIEF ROLLERS ENGAGED.
  4. OPTIONAL MINOR BEAD RIB OR STRIATIONS AVAILABLE.
  5. DUAL DIMENSIONS: Inch [mm]

MATERIAL PAINTED STEEL/PAINTED ALUMINUM/COPPER				FINISH NONE		 <b>NEW TECH MACHINERY CORP.</b>		
REVISION HISTORY	REV	ECR NO.	DATE	RELEASED BY	TOLERANCES .XX = ± .01 .XXX = ± .005 FRACTION = ± 1/32" ANGLE = ± 1/2'	DRAWN BY	PART NAME	
	0	REDRAWN	07/02/2002	JD		DATE	SS675 PANEL PROFILE	
	1	ADDED mm	05/02/2012	JD		07/02/2002		
	2	R-2190					CHECK BY	PART NUMBER
						JD	SS7-675P	
						DATE	SHEET	REVISION
						01/17/2008	1 OF 1	2